



How to measure guide

Hinge window security screen - double hung window

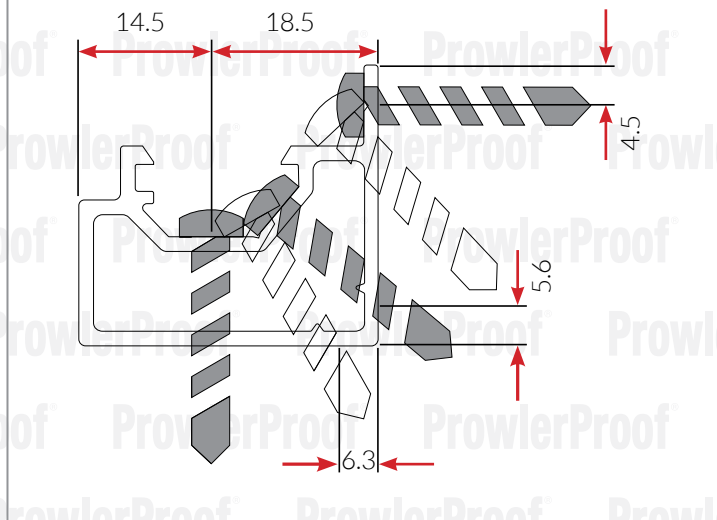
To ensure the Prowler Proof hinge window screens you are ordering fit and perform perfectly, please follow the steps below. All window screens should be ordered as finished make sizes. Please note all references should be taken from the outside view looking in, as per ordering through COSI.

1 Limitations

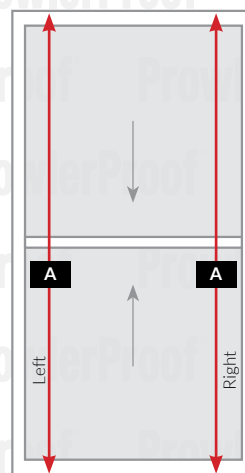
Product	Centre Mount Handle Min. Height	Low Mount Handle Min. Height	Min. Width	Max. Height	Max. Width
ForceField	430	850	460	2400	1550
Protec					1300
Rotated Protec Mesh	430	850	460	1330	1300

2 H.I.T.™ Hidden Installation Technology – Fastener Position

Select the fastener position that best suits a secure installation using one of the five available positions. This will determine the drop and width of the screen.



3 Drop



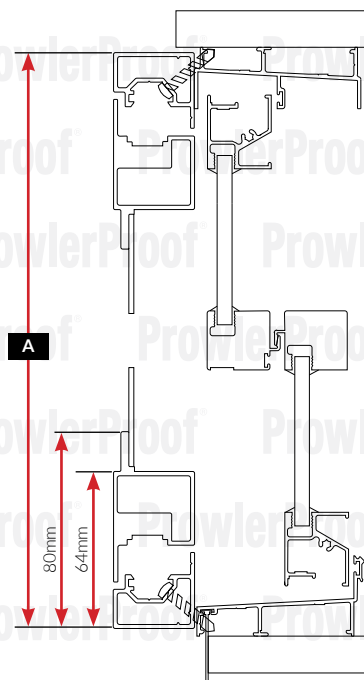
Using the nominated H.I.T.™ screw position, measure the screen drop.

▲ **Left:** _____ mm

▲ **Right:** _____ mm

(determine drop as frames are made square)

▲ **Make drop:** _____ mm



Note: Ensure the screen will be fitted so it does not block or cover any drain holes in the window sill.

Customer details

Customer name	
Contact number	
Address	



How to measure guide

Hinge window security screen - double hung window

4 Width

Measure the screen width for fixing to the mullion or jamb, allow for any clearances required. Measure multiple bays individually as they may be different sizes. Check handle has clearance.

Widths
B Top: _____ mm
B Middle: _____ mm
B Bottom: _____ mm

B (Determine make width as frames are made square)
Make Width: _____ mm

5 Handle side

Left Hand Side Right Hand Side

From the outside looking in, which side should the handle be on the inside of the window?

6 Handle position

Select handle position to suit window type, access and screen size – centre mount position or lower mount position. Lower mount is used for double hung windows where it is difficult to access the centre of the screen, and high windows so reaching the operating position is easy.

Note: Select one position only.

Centre mount position
 Lower mount position

Centre of screen

340mm

Handle reference (Centre of drive)

Handle shown in operating position - 90°

27

39

106

145

7 Operation / Swing clearance

Check clearances outside top, bottom and sides, so window can operate fully.

Inside

Outside

100°

(Right hand operating shown.)