

How to install guide

Installation Instructions for
Prowler Proof hinge window security screen – in swing

Version 1: October 2019



Contents

1 BEFORE YOU START

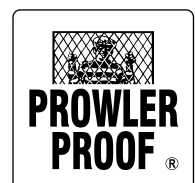
- 1.1 Fastener recommendations
- 1.2 Tools checklist
- 1.3 Parts checklist

2 INSTALLATION

- 2.1 Initial check
- 2.2 Disassemble sash from frame
- 2.3 Install frame
- 2.4 Install sash
- 2.5 Operation check
- 2.6 Adjustment

3 TROUBLE SHOOTING

Note: All references are taken from outside view looking in.



1. Before you start

1.1 Fastener recommendations

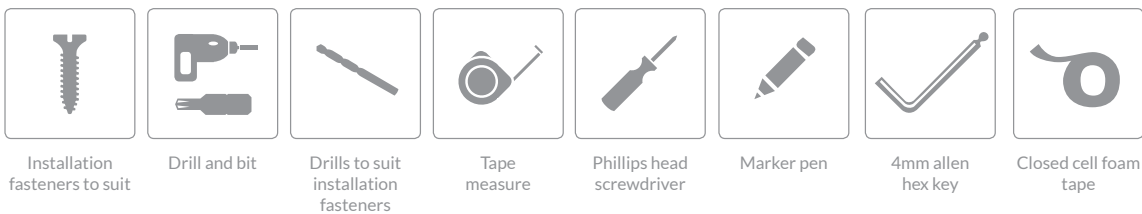
IMPORTANT NOTES:

- a. Prowler Proof security screens are not supplied with fixing screws.
- b. Use the below fasteners when fixing into aluminium. Würth brand fasteners are available for ordering from Prowler Proof.
- c. Check the correct length fastener is used so it does not fix into an exposed or area of importance.
- d. For fasteners being fixed into other materials, the installer must select and use fasteners appropriate to the material.

Fixing material	Fastener type	Diameter (mm)	Length (mm)	Driver Bit.
Aluminium	AW10 Zebra Pias Pan Head	3.5	9.5	AW10 Purple
	AW10 Zebra Pias Pan Head	3.5	25	AW10 Purple
	AW20 Zebra Pias Pan Head	4.2	13	AW20 Orange
	AW20 Zebra Pias Pan Head	4.2	16	AW20 Orange
	AW20 Zebra Pias Pan Head	4.2	25	AW20 Orange
	AW20 Zebra Pias Pan Head	4.2	32	AW20 Orange
	AW20 Zebra Pias Pan Head	4.8	22	AW25 Green

1.2 Tools checklist

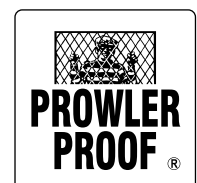
TOOLS REQUIRED TO INSTALL THE HINGE WINDOW INCLUDE:



1.3 Parts checklist

CONTENTS LIST:

- a. Prowler Proof Hinge Window – In Swing
- b. Installation Fasteners
- c. Accessories as required

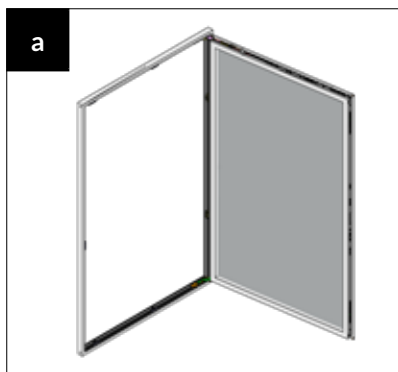


2. Installation

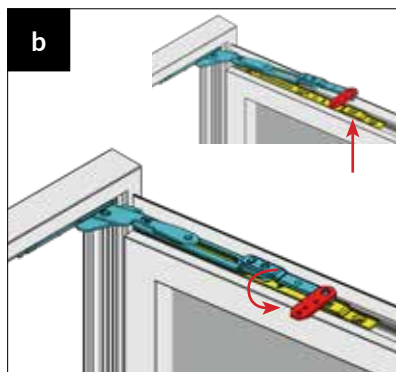
2.1 Initial check

Remove all items from packaging and complete visual check.

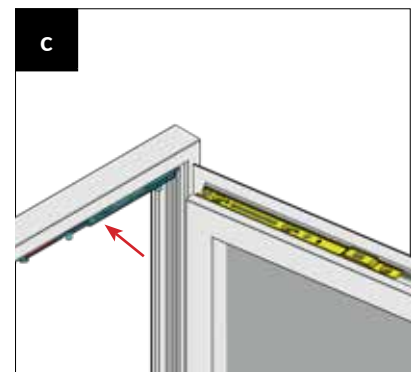
2.2 Disassemble sash from frame



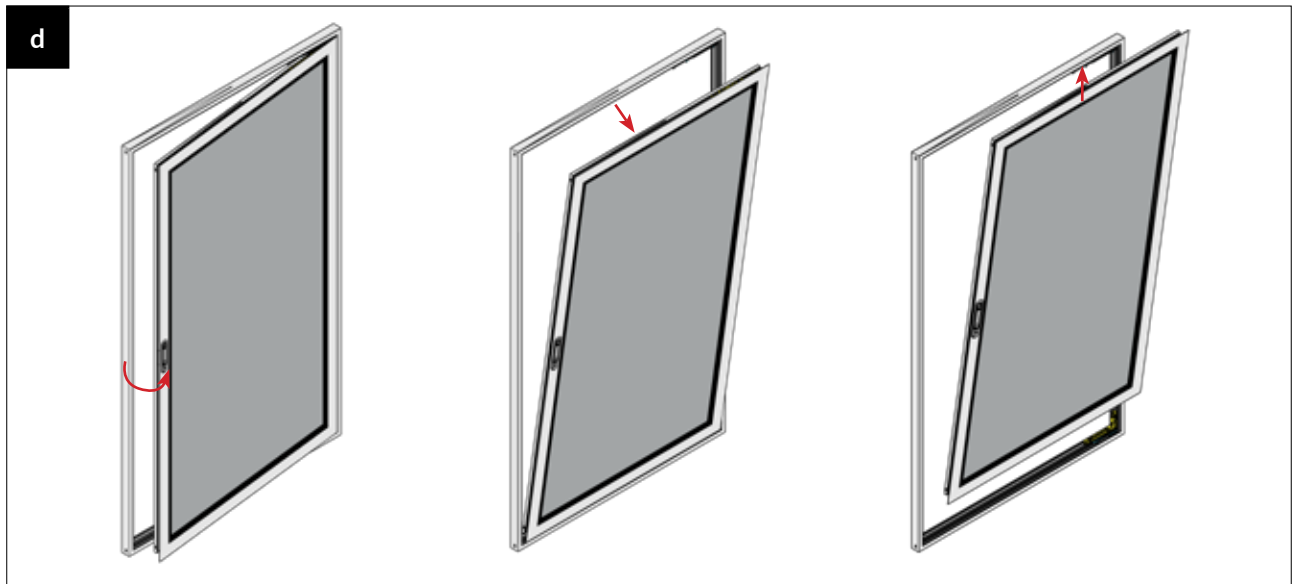
Open sash to gain access to top hinge.



At top hinge, turn locking tab 90° then push upward to release and disengage sash hinge.



Close top hinge back into frame, so it's out of the way.

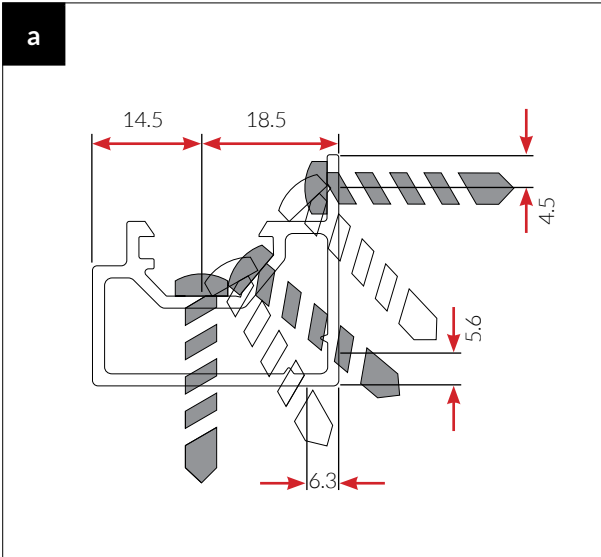


Close screen sash to approx. 15°, tilt sash away from frame by 10° and lift off bottom hinge.



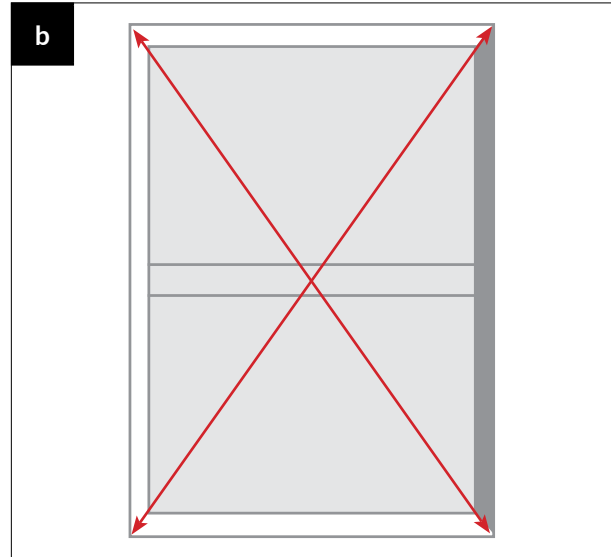
2. Installation

2.3 Install frame



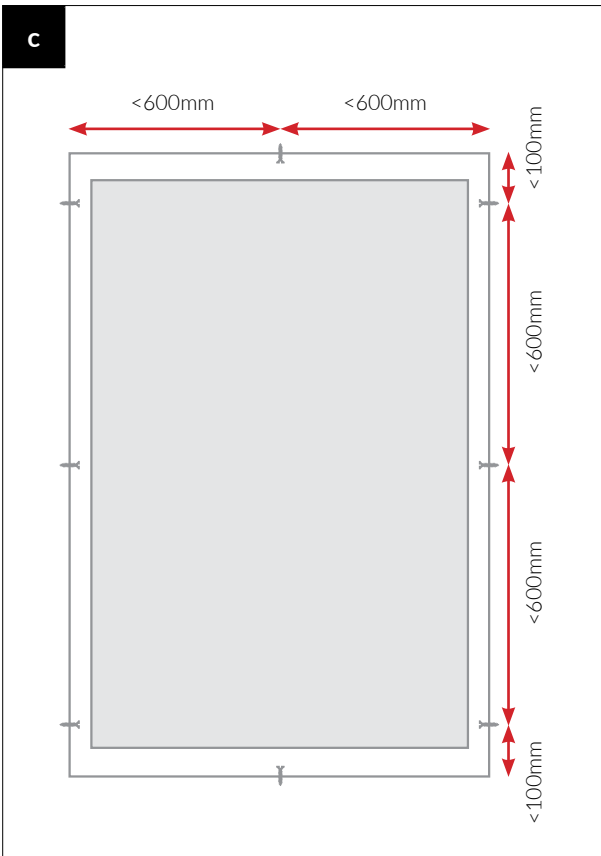
H.I.T.® Hidden Installation Technology

Select the fastener position that best suits a secure installation using one of the five available positions.



Place frame into position. Check for gaps and squareness.

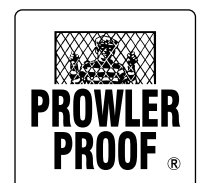
Check access to the glass window handles or operating hardware, allow for clearance.



Fasten frame in position using recommended fasteners, less than 600mm (<) centres and 100mm from the top and bottom of the frame on both sides.

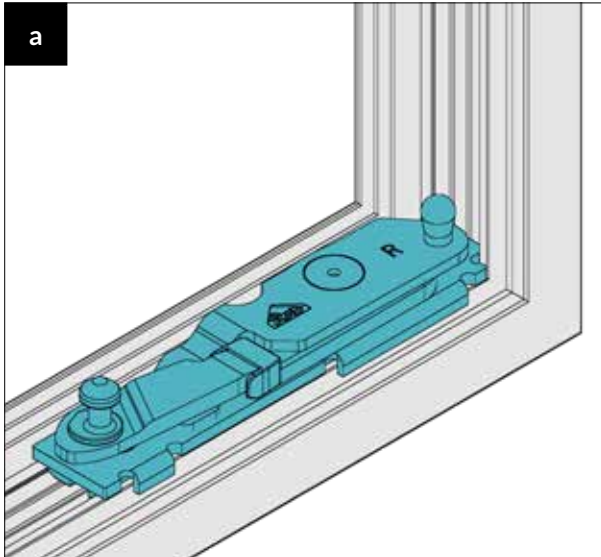
Fasten extrusion accessories, no greater than 300mm centres and 50mm from each end.

If gaps are present, a double sided foam tape or appropriate silicone can be used to close gaps.

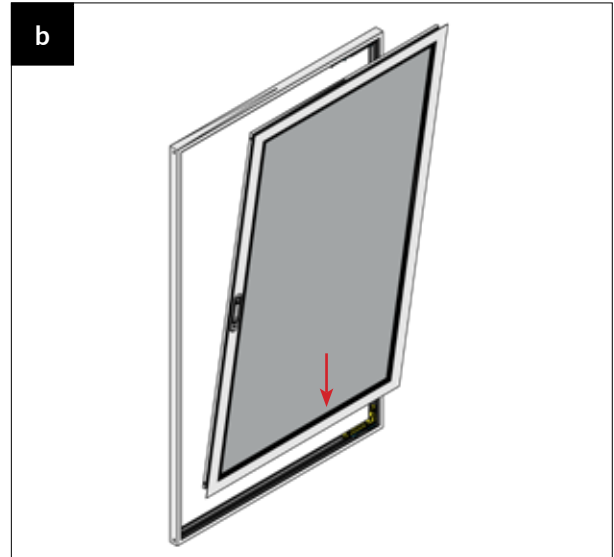


2. Installation

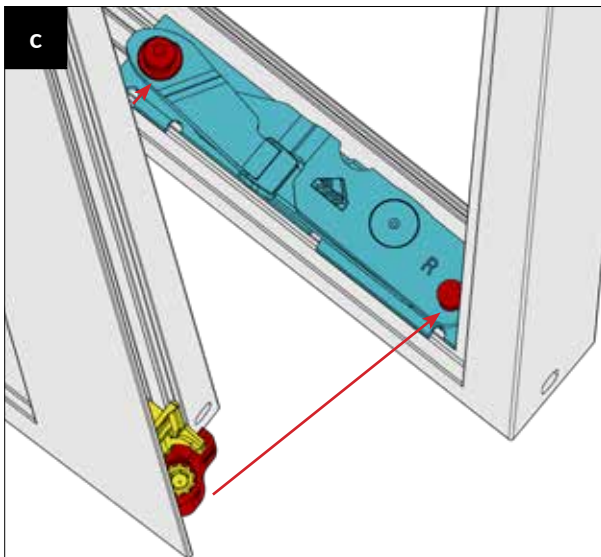
2.4 Install sash



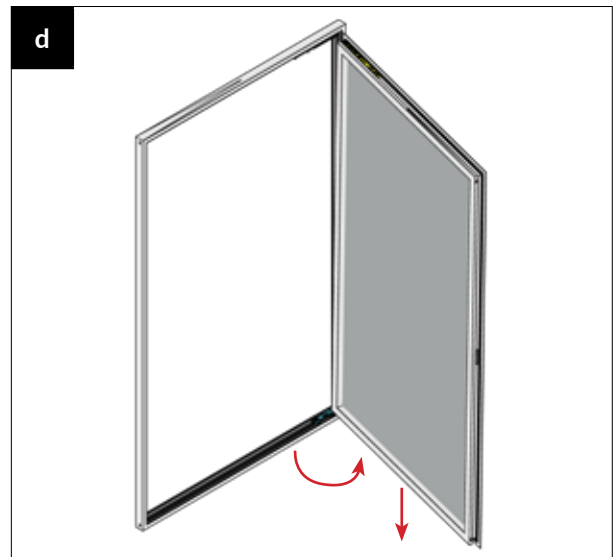
Fully close bottom hinge.



Align sash along frame and lower onto hinge.



Ensure frame hinge pins enter sash hinge holes.

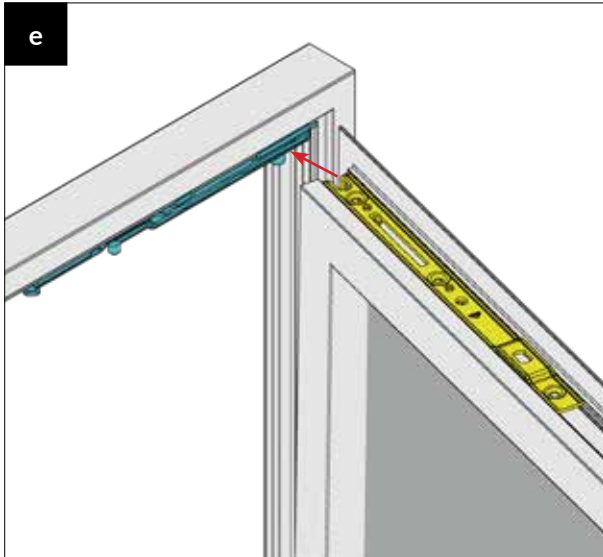


Open sash and tilt slightly down.

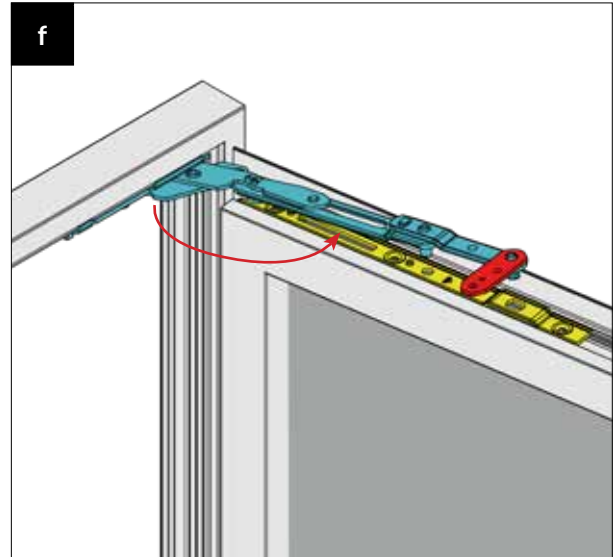


2. Installation

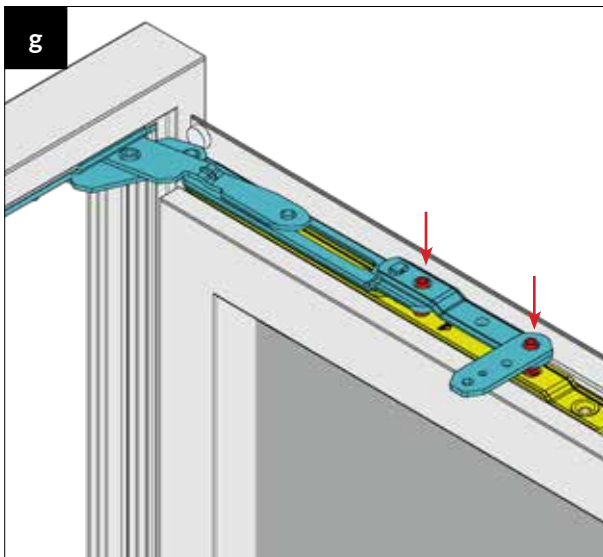
2.4 Install sash ... continued



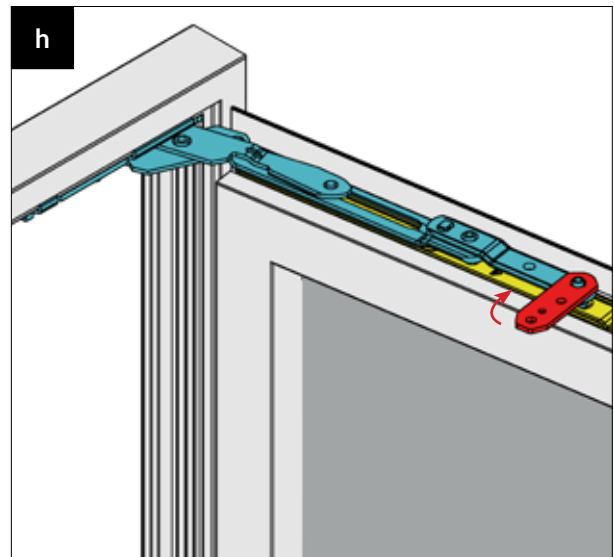
Push the sash in at the top so the top hinge slot fits onto the frame's hinge pin.



Open the frame top hinge.



Align the pins and locking lug into the sash top hinge holes and press down.

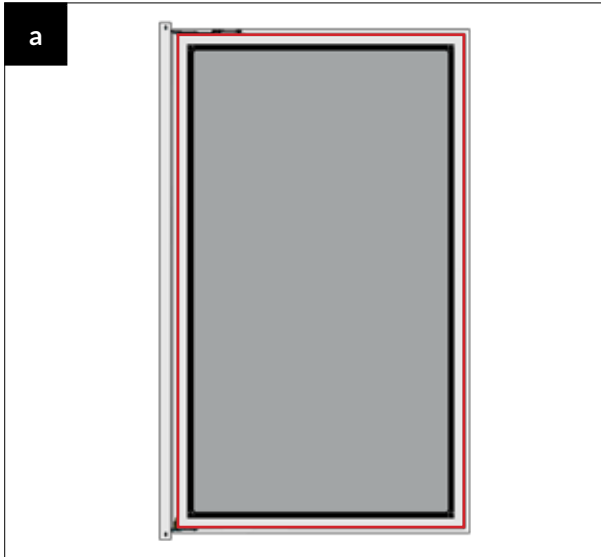


Turn the locking tab back over itself (90°). Ensure the detent in the locking tab sits into the hole of the hinge to make secure.

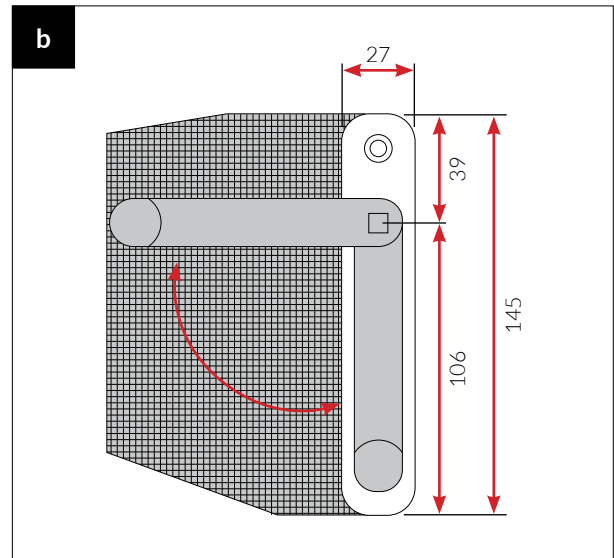


2. Installation

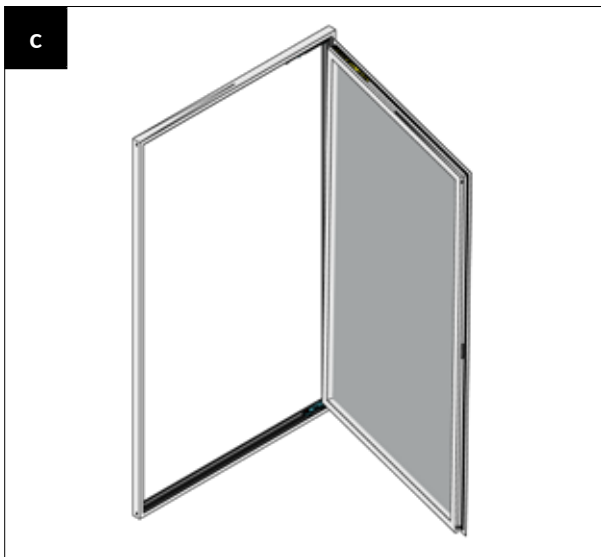
2.5 Operation check



Close sash slowly, checking gaps are even around sash and frame.



Lift and turn handle to open and close. Ensure operation is smooth and handle sits flat in its recess.



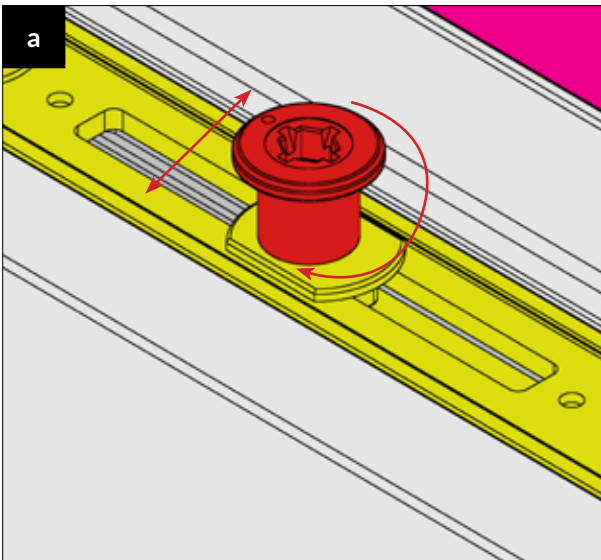
Operate sash to the fully open position slowly, checking smooth operation. Adjust if necessary, see adjustment over page.



2. Installation

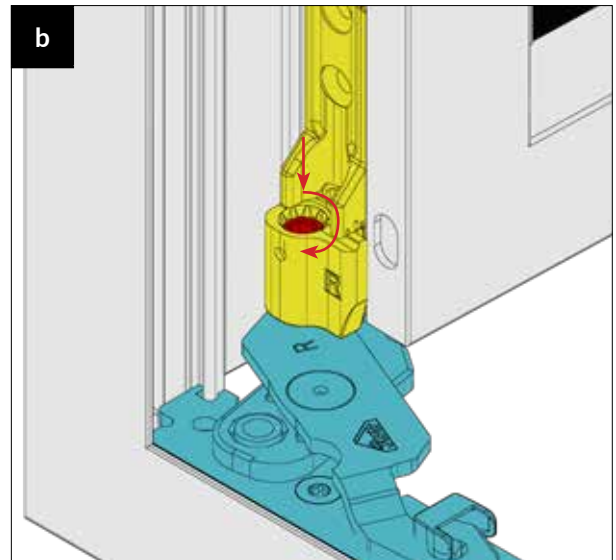
2.6 Adjustment

It is highly unlikely you will need to adjust the hinge window at the point of installation, but if you do, you can adjust the hardware in four (4) ways.



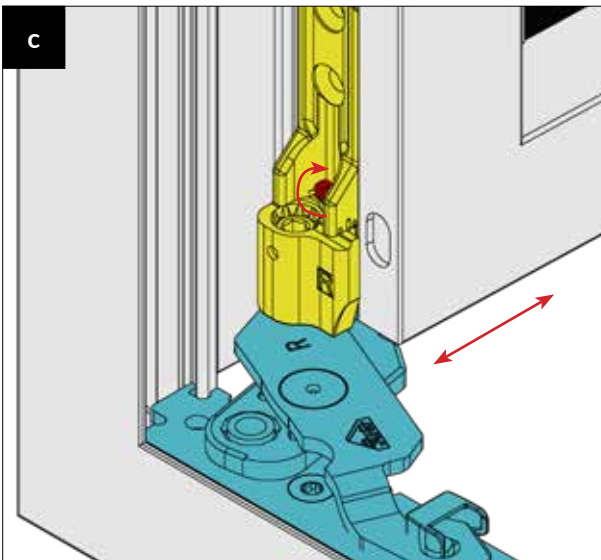
Sash compression adjustment = $\pm 0.8\text{mm}$

Using a 4mm Allen key turn the locking cams to adjust compression of the sash to the frame.



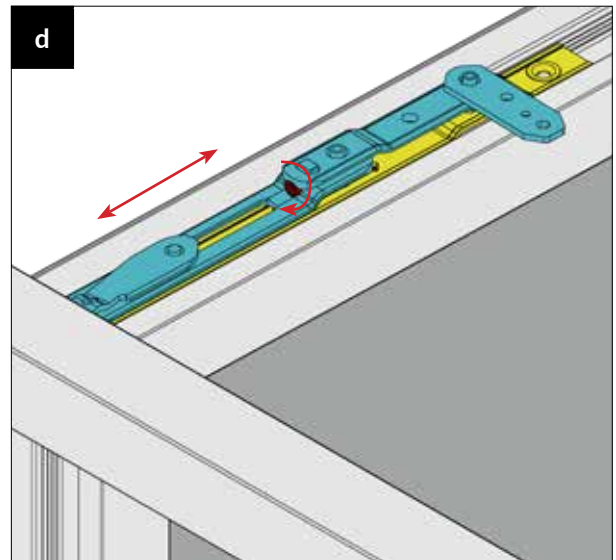
Sash vertical adjustment = 4.0mm

Using a 4mm Allen key turn the screw in the bottom hinge to adjust the sash vertically.



Sash bottom horizontal adjustment = 4.0mm

Using a 4mm Allen key turn the horizontal screw in the bottom hinge to adjust the screen horizontally.



Sash top horizontal adjustment = 5.0mm

Using a 4mm Allen key turn the horizontal screw in the top hinge to adjust the screen horizontally.



3. Trouble shooting

The screen's sash does not sit flat against the screen frame	<ul style="list-style-type: none">Adjust the locking cam closest to the area that is protruding, see 2.6 adjustment.
The sash hits the frame once it's been fixed to the window	<ul style="list-style-type: none">See section 2.6 Adjustment and adjust the sash accordingly.
The hardware is hard to operate	<ul style="list-style-type: none">Slightly loosen hardware fixing screws and/or apply a white hardware grease or spray CRC 3-36® Multi-Purpose Lubricant & Corrosion Inhibitor between sliding hardware parts.
The screen is being fitted in an extremely corrosive environment	<ul style="list-style-type: none">Give the hardware a spray of CRC 3-36® Multi-Purpose Lubricant & Corrosion Inhibitor and advise the customer to clean regularly to minimise corrosive effects.
The locking cams on the sash hit the strikers	<ul style="list-style-type: none">See section 2.6 Adjustment and adjust the sash accordingly.

Prowler Proof
122 Buchanan Road,
Banyo QLD 4014
T 07 3363 0666 | E info@prowlerproof.com.au

www.prowlerproof.com.au

© Copyright 2019 Gershwin Pty Ltd ABN 22 064 102 816

If you have any feedback on this manual, please let us know by emailing info@prowlerproof.com.au

